

**NOTES:**

(A) THIS DETAIL DOES NOT EXACTLY APPLY TO EVERY ROOM. SUBMIT SHOP DRAWINGS WITH PROPOSED ADJUSTMENTS FOR APPROVAL FOR VARIATIONS FROM THIS DETAIL.

(B) CONTRACTOR/INSTALLER SHALL NOTIFY THE PROJECT MANAGER, IF ANY COMPONENT SHOWN ON THIS DETAIL IS NOT SHOWN ON THE DRAWINGS.

(C) CONDUIT AND WIRING FOR STANDARD OUTLETS SUCH AS ITV, POWER AND DATA MUST BE INSTALLED PER CODE, REFERENCE VOICE, DATA & VIDEO STRUCTURE CABLING SPECIFICATIONS/DESIGN CRITERIA.

**KEYED NOTES:**

① 1" CONDUIT FROM 4" x 4" x 2-1/8" JUNCTION BOX WITH SINGLE GANG MUD RING STUB UP TO ACCESSIBLE CEILING SPACE. CONDUIT ENDS MUST HAVE BUSHING.

② 1" CONDUIT FROM 4" x 4" x 2-1/8" JUNCTION BOX WITH DOUBLE GANG MUD RING STUB UP TO ACCESSIBLE CEILING SPACE. CONDUIT ENDS MUST HAVE BUSHING.

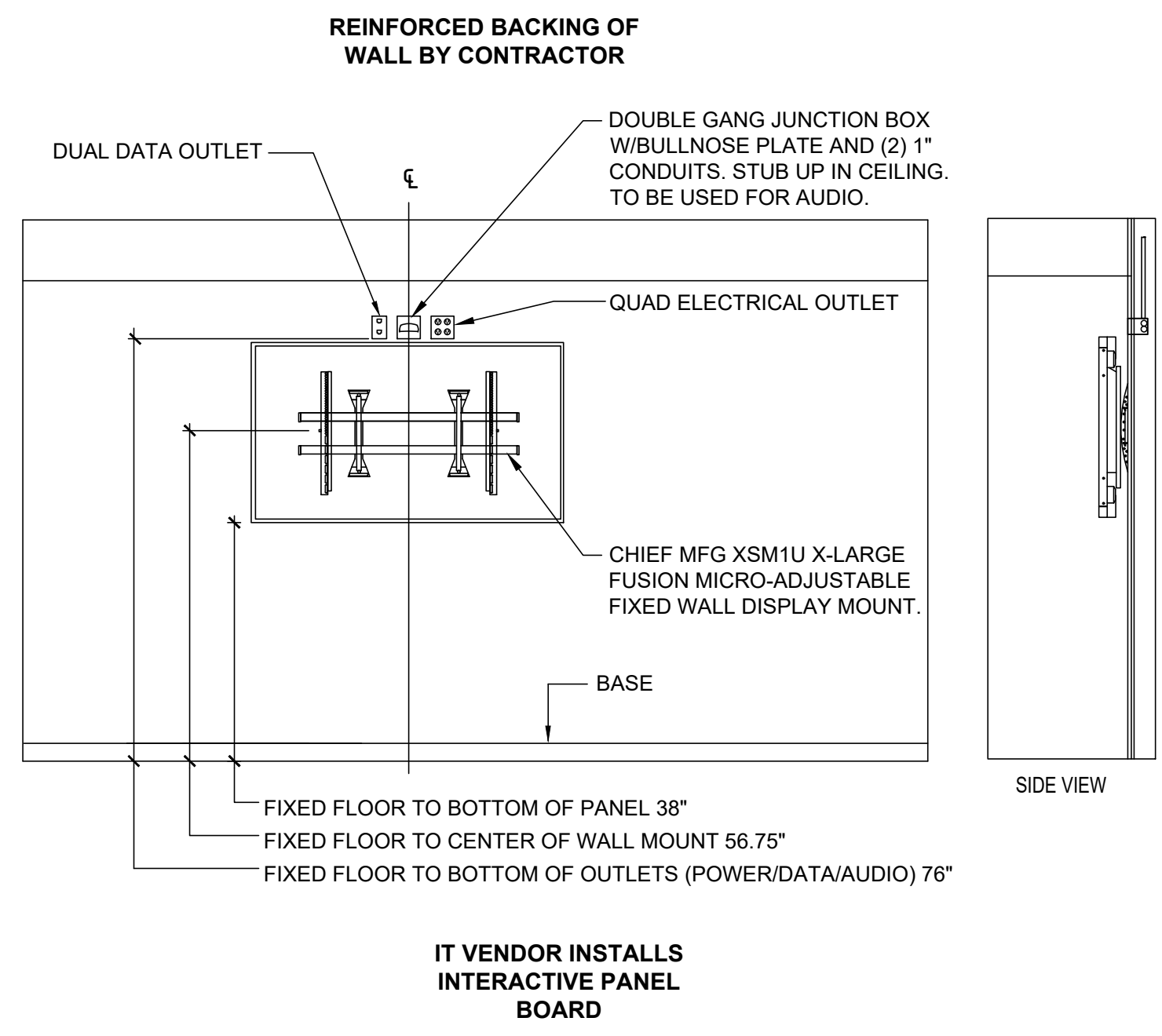
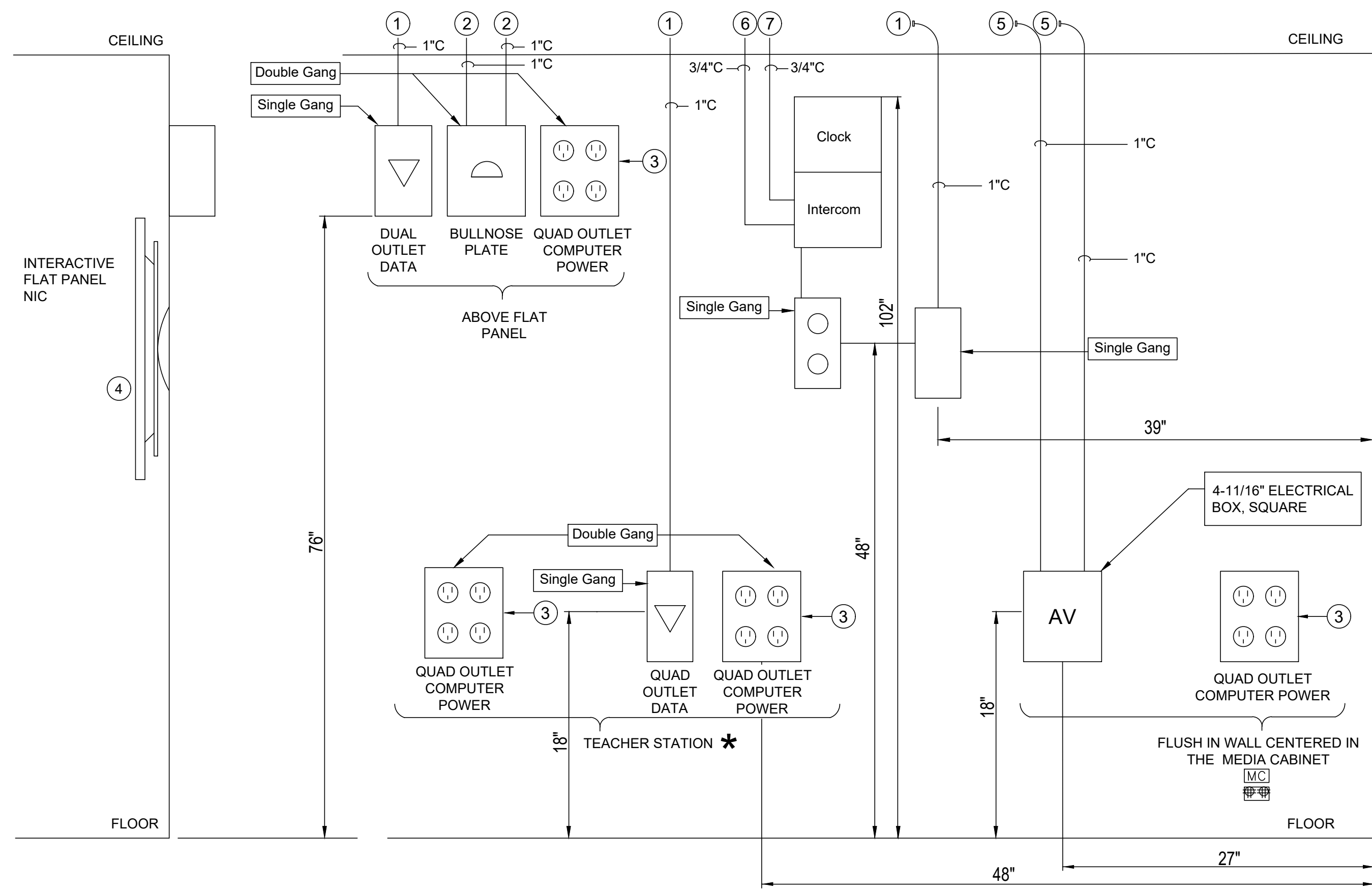
③ QUAD ELECTRICAL POWER RECEPTACLE OUTLETS

④ INTERACTIVE FLAT PANEL

⑤ 1" CONDUIT FROM 4" x 4" x 3-1/2" DEEP JUNCTION BOX WITH DOUBLE GANG MUD RING STUB UP TO ACCESSIBLE CEILING SPACE. CONDUIT ENDS MUST HAVE BUSHING.

⑥ 3/4" CONDUIT FROM INTERCOM STUB UP TO ACCESSIBLE CEILING SPACE. CONDUIT ENDS MUST HAVE BUSHING.

⑦ 3/4" CONDUIT FOR AV PAGE SENSOR



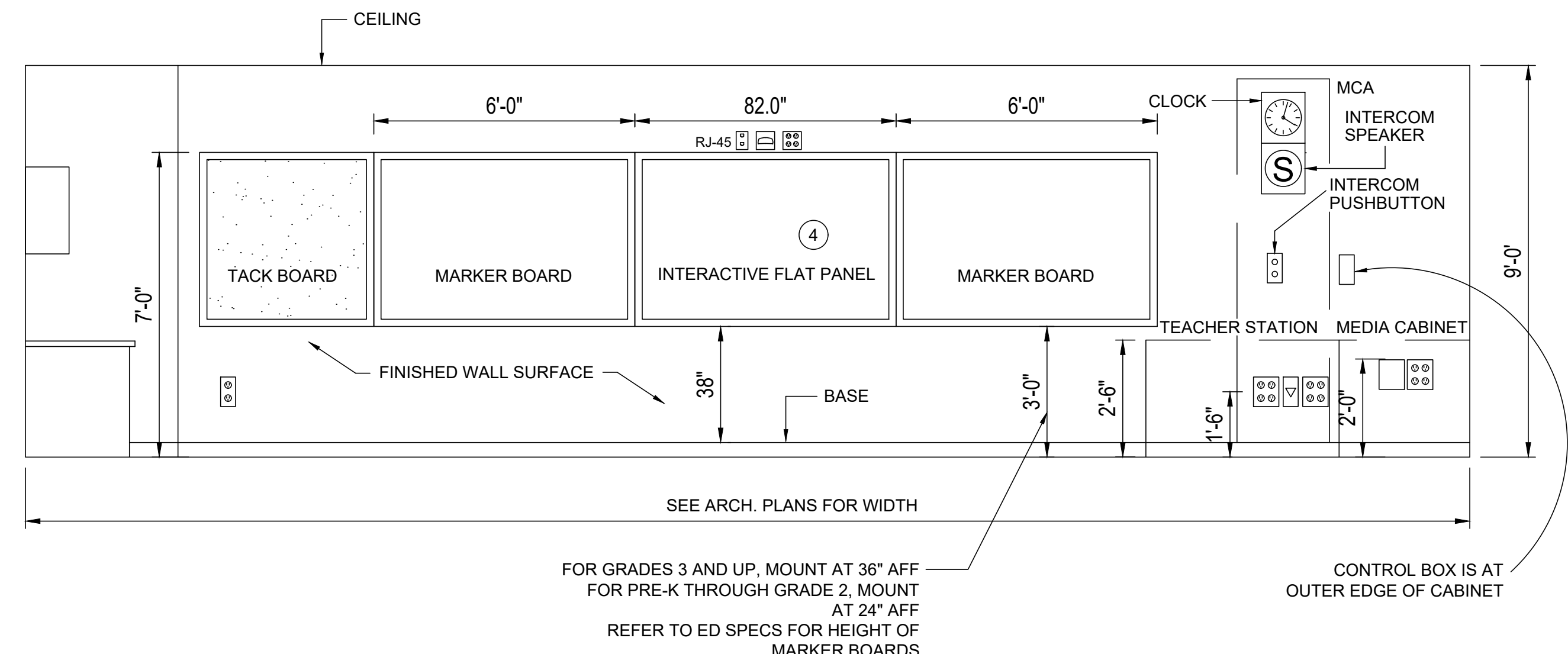
**FLAT PANEL WIRING DETAIL**

THE COMPONENTS OF THIS DETAIL APPLY TO ALL ROOMS WHERE AN INTERACTIVE PANEL IS REQUIRED BY EDUCATIONAL SPECIFICATIONS. SEE TYPICAL CLASSROOM ELEVATION DETAIL. THE ELECTRICAL PLANS MAY NOT INDICATE ALL INSTANCES WHERE THESE COMPONENTS ARE REQUIRED. REFER TO ARCHITECTURAL PLANS FOR LOCATION OF INTERACTIVE PANEL, MEDIA CABINET AND TEACHER STATION.

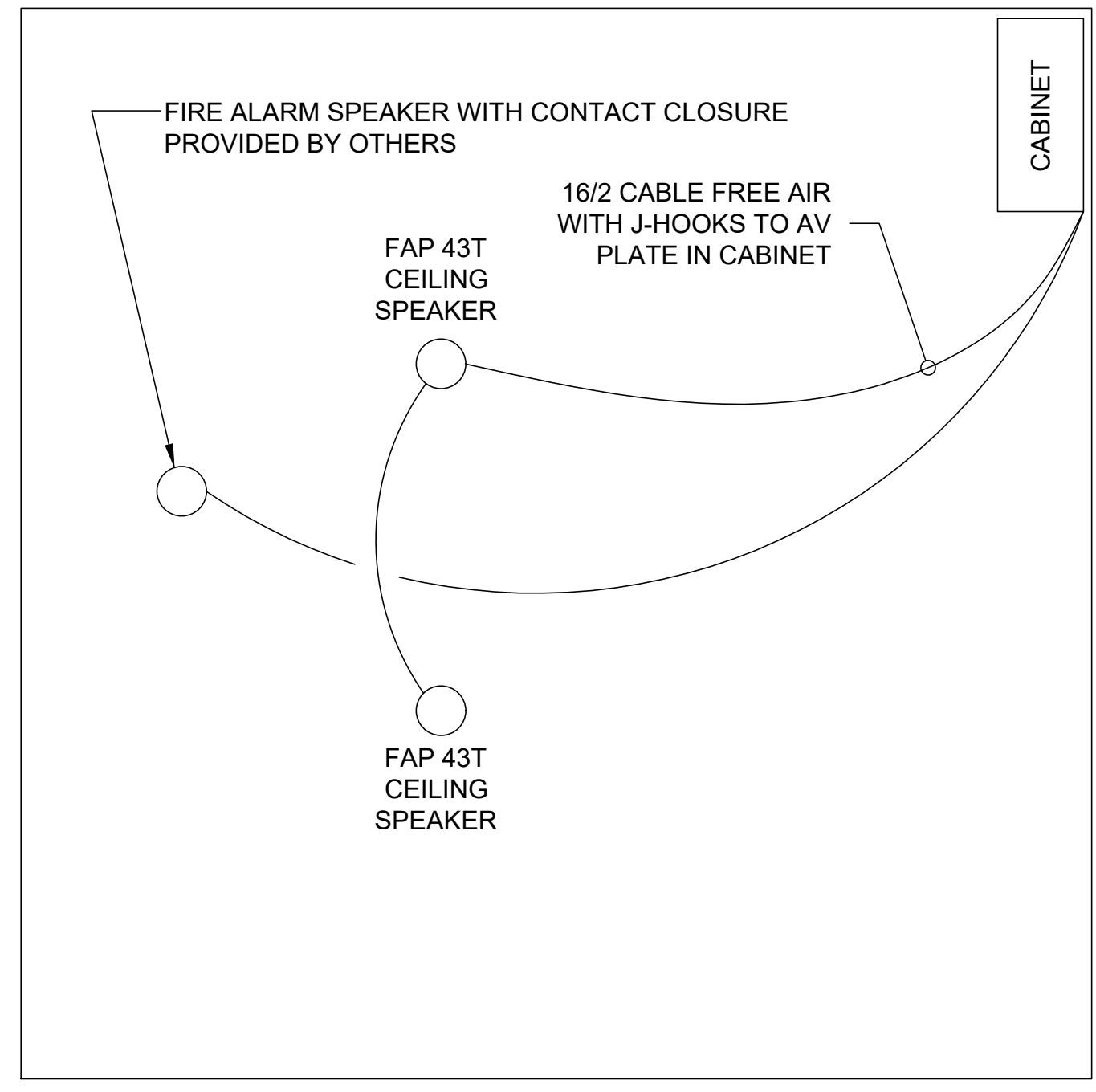
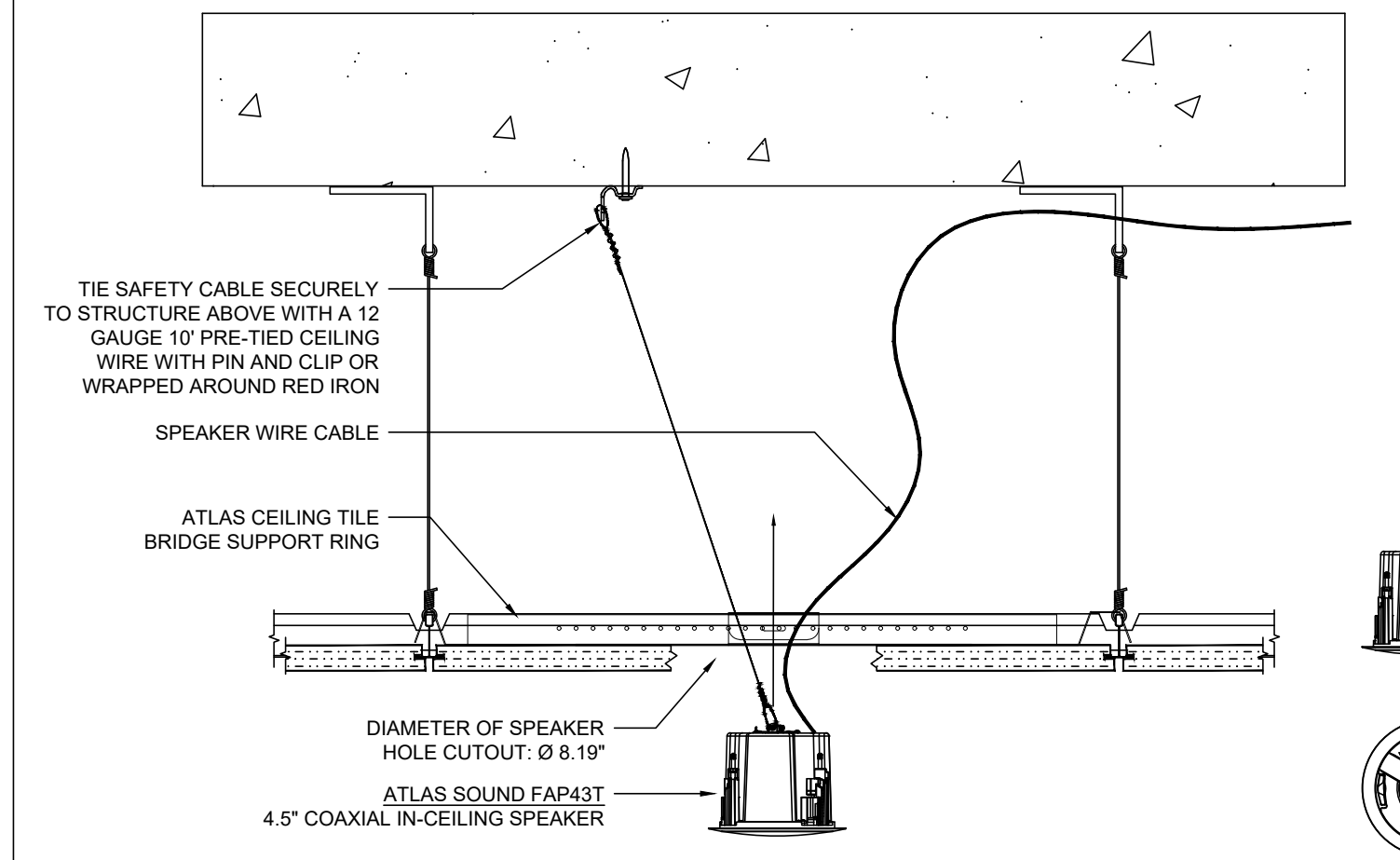
**IT VENDOR INSTALLS INTERACTIVE PANEL BOARD**

**1 GENERAL FLAT PANEL WIRING DETAIL WITH ITV**

**5 FLAT PANEL ELEVATION**



**3 TYPICAL AUDIO VISUAL MEDIA CABINET**



**2 TYPICAL CLASSROOM ELEVATION**

**4 CEILING SPEAKER DETAIL**

**6 SPEAKER LAYOUT**

**Universal Cabling Systems**  
 914 Fern Street West Palm Beach, FL 33401  
 Tel. (561) 659-6224 - Fax. (561) 659-6308  
 www.ucscable.com

NO.	DATE	REVISION DESCRIPTION
1	3/1/2018	UPDATE
2	6/4/2019	UPDATE
3	2/6/2020	UPDATE
4	2/14/2020	UPDATE
5	10/14/2020	UPDATE
6	06/24/2022	UPDATE

**INSTRUCTIONAL SPACES**  
**TYPICAL INTERACTIVE PANEL**  
**AUDIOVISUAL LAYOUT DETAIL**  
**THE SCHOOL BOARD OF BROWARD COUNTY**



ADMINISTRATION NO.	
CAD FILE NAME	SBBC Instructional Interactive Panel AV-3
ORIGINAL ISSUE DATE	10/29/17
SHEET TITLE	FLAT PANEL WIRING
SHEET No.	AV-3
OF	3